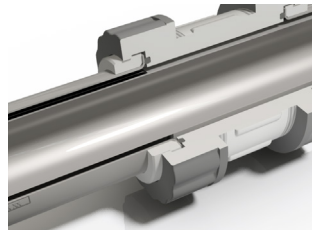


THE NEW GENERATION MKIV CELL

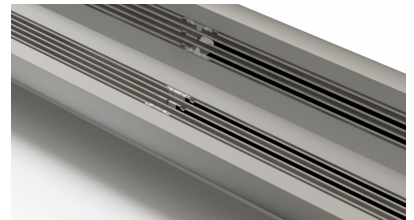
INTRODUCTION

The introduction of the MKIV cell for Chloropac® and SeaCURE® systems has allowed Evoqua to deliver a cell that is more efficient, has better self cleaning capabilities, and smaller footprint than previous designs.

MKIV HIGHER SURFACE AREA INCREASES OUTPUT

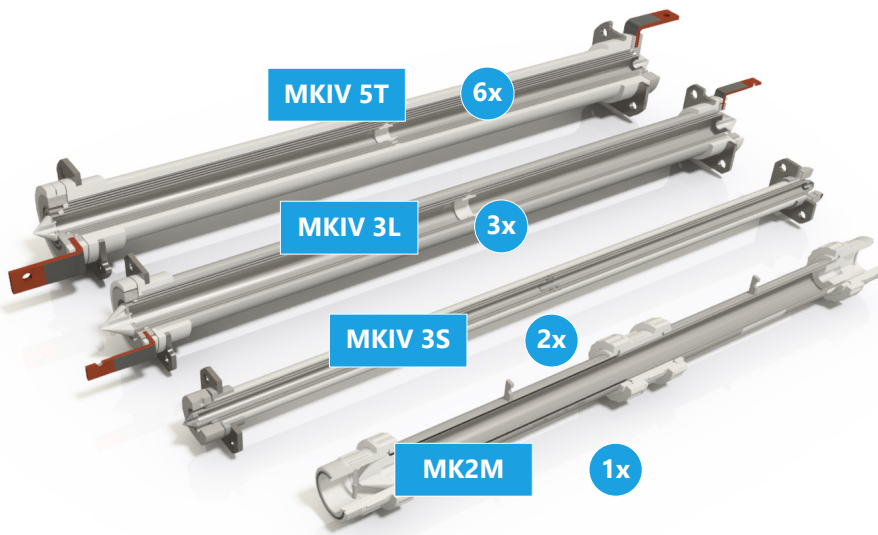


MKII



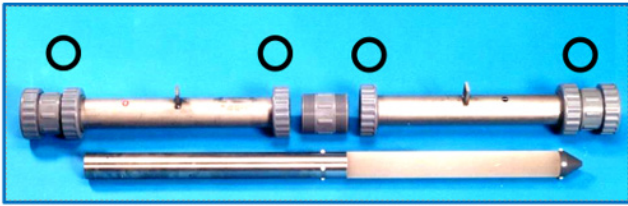
MKIV

MKIV CAPACITY - 6 TIMES MORE OUTPUT FROM A SINGLE CELL

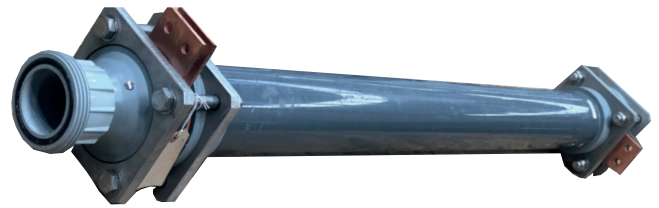


MKIV INCREASED CELL VELOCITIES PROVIDE FURTHER IMPROVED SELF CLEANING CAPABILITIES

FEWER SEALS ON MKIV MEANS SIMPLER MAINTENANCE

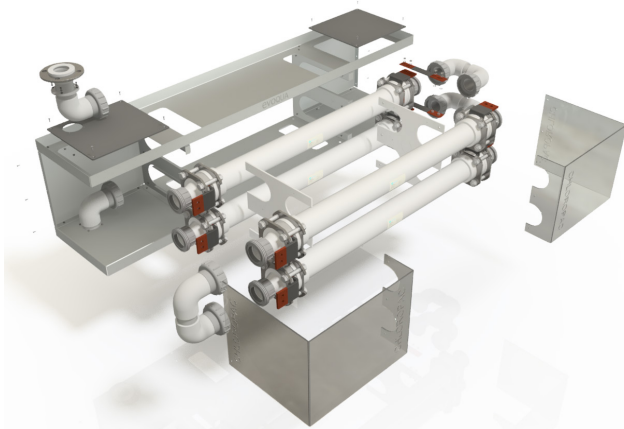


MKII four 'O' rings per cell



MKIV zero 'O' rings per cell

MKIV MODULE CONSTRUCTION ALLOWS FOR SMALLER LIGHTER CHLOROPAC® AND SeaCURE® SYSTEMS



New systems are up to 70% smaller than previous models. Universal system designs have fewer electrical/ mechanical connections allowing easy installation, whilst also reducing maintenance time and costs.



Unit 9 Norman Way, Caldicot, NP6 5YN

Email: marine@evoqua.com www.evoqua.com/chloropac

Chloropac and seaCURE are trademarks of Evoqua, its subsidiaries or affiliates, in some countries.

All information presented herein is believed reliable and in accordance with accepted engineering practices. Evoqua makes no warranties as to the completeness of this information. Users are responsible for evaluating individual product suitability for specific applications. Evoqua assumes no liability whatsoever for any special, indirect or consequential damages arising from the sale, resale or misuse of its products.

© 2018 Evoqua Water Technologies Corp.

Subject to change without notice