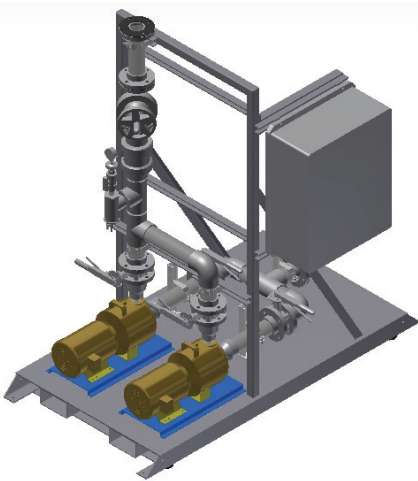


PSH-10 to PSH-50

## HIGH PRESSURE TRANSFER PUMP SYSTEMS (PSH-S AND PSH-D SERIES)

### HIGH PRESSURE, SIMPLEX AND DUPLEX

The Transfer Pump Systems are specifically designed to be used with an existing or new collection tank or sump tank. The high pressure pumps are sized to provide 100 feet (30.48 m) of head at the design flow rate. The pump, valves, flow indicator, flow control valve and control panel are mounted on a corrosion resistant painted steel skid. When integrating with other standard products modules, the transfer pump system simply interlocks with the other modules. Based on site conditions the interconnecting piping (if within 3 feet (0.91 m) of the next module) is also provided with the system.



PSH-75 to PSH-200

### Available Standard Options

- Level control floats
- Level control upgrade to ultrasonic
- UV unit

### Features

- NEMA-4X electrical enclosure
- Flowmeter to indicate flow
- Adjustable diaphragm valve to control flow
- Isolation ball valve to service the pump
- TEFC pump motor
- Pre-piped, pre-wired
- Factory tested
- Integrates with other wastewater products

## PUMPS

Model Number	PSH-50-S/D	PSH-75-S/D	PSH-100-S/D	PSH-150-S/D	PSH-200-S/D	PSH-250-S/D	PSH-300-S/D	PSH-300-S/D
Number of Pumps	One/Two	One/Two	One/Two	One/Two	One/Two	One/Two	One/Two	One/Two
Pump Type	Horizontal Centrifugal							
Material of Construction	Stainless Steel	Stainless Steel	Stainless Steel	Stainless Steel	Stainless Steel	Stainless Steel	Stainless Steel	Stainless Steel
Capacity	50 gpm @ 100' head (11.4 m <sup>3</sup> /hr @ 299 kPa)	75 gpm @ 100' head (17.0 m <sup>3</sup> /hr @ 299 kPa)	100 gpm @ 100' head (22.7 m <sup>3</sup> /hr @ 299 kPa)	150 gpm @ 100' head (34.1 m <sup>3</sup> /hr @ 299 kPa)	200 gpm @ 100' head (45.4 m <sup>3</sup> /hr @ 299 kPa)	250 gpm @ 100' head (56.8 m <sup>3</sup> /hr @ 299 kPa)	300 gpm @ 100' head (68.1 m <sup>3</sup> /hr @ 299 kPa)	400 gpm @ 100' head (90.85 m <sup>3</sup> /hr @ 299 kPa)
Motor	2 HP, 460 V, 3-Phase, 60 Hz, TEFC	5 HP, 460 V, 3-Phase, 60 Hz, TEFC	5 HP, 460 V, 3-Phase, 60 Hz, TEFC	7.5 HP, 460 V, 3-Phase, 60 Hz, TEFC	10 HP, 460 V, 3-Phase, 60 Hz, TEFC	10 HP, 460 V, 3-Phase, 60 Hz, TEFC	15 HP, 460 V, 3-Phase, 60 Hz, TEFC	15 HP, 460 V, 3-Phase, 60 Hz, TEFC

## VALVES AND PIPING CONNECTIONS

Model Number	PSH-50-S/D	PSH-75-S/D	PSH-100-S/D	PSH-150-S/D	PSH-200-S/D	PSH-250-S/D	PSH-300-S/D	PSH-300-S/D
Suction	One/Two PVC Ball Type	One/Two PVC Ball Type	One/Two PVC Ball Type	One/Two PVC Ball Type	One/Two PVC Ball Type	One/Two PVC Ball Type	One/Two PVC Ball Type	One/Two PVC Ball Type
Discharge	One/Two PVC Ball Type	One/Two PVC Ball Type	One/Two PVC Ball Type	One/Two PVC Ball Type	One/Two PVC Ball Type	One/Two PVC Ball Type	One/Two PVC Ball Type	One/Two PVC Ball Type
Discharge Check Valve	One PVC Check Valve	One PVC Check Valve	One PVC Check Valve	One PVC Check Valve	One PVC Check Valve	One PVC Check Valve	One PVC Check Valve	One PVC Check Valve
Discharge Throttle Valve	Diaphragm Type	Diaphragm Type	Diaphragm Type	Diaphragm Type	Diaphragm Type	Diaphragm Type	Diaphragm Type	Diaphragm Type
Connection	2" (50 mm)	3" (76 mm)	3" (76 mm)	4" (101 mm)	4" (101 mm)	4" (101 mm)	6" (152 mm)	6" (152 mm)

## INSTRUMENTATION

Model Number	PSH-50-S/D	PSH-75-S/D	PSH-100-S/D	PSH-150-S/D	PSH-200-S/D	PSH-250-S/D	PSH-300-S/D	PSH-300-S/D
Pressure	One Discharge Pressure Gauge	One Discharge Pressure Gauge	One Discharge Pressure Gauge	One Discharge Pressure Gauge	One Discharge Pressure Gauge	One Discharge Pressure Gauge	One Discharge Pressure Gauge	One Discharge Pressure Gauge
Flowmeter	Rotometer	Paddlewheel	Paddlewheel	Paddlewheel	Paddlewheel	Paddlewheel	Paddlewheel	Paddlewheel
Level Control	Float	Float	Float	Float	Float	Float	Float	Float

## SKID REQUIREMENTS

Model Number	PSH-50-S/D	PSH-75-S/D	PSH-100-S/D	PSH-150-S/D	PSH-200-S/D	PSH-250-S/D	PSH-300-S/D	PSH-300-S/D
Dimensions (L x W x H)	80" x 55" x 86" (2,032 x 1,397 x 2,032 mm)							80" x 59" x 87" (2,032 x 1,499 x 2,210 mm)
Shipping Weight	475 lbs (215 kg)	989 lbs (449 kg)	1,020 lbs (463 kg)	1,080 lbs (490 kg)	1,200 lbs (544 kg)	1,700 lbs (771 kg)	1,800 lbs (816 kg)	1,870 lbs (848 kg)
Operating Weight	500 lbs (227 kg)	1,014 lbs (460 kg)	1,045 lbs (474 kg)	1,105 lbs (474 kg)	1,225 lbs (556 kg)	1,725 lbs (782 kg)	1,825 lbs (828 kg)	1,910 lbs (866 kg)



181 Thorn Hill Road, Warrendale, PA 15086

+1 (866) 926-8420 (toll-free) +1 (978) 614-7233 (toll) [www.evoqua.com](http://www.evoqua.com)

All information presented herein is believed reliable and in accordance with accepted engineering practices. Evoqua makes no warranties as to the completeness of this information. Users are responsible for evaluating individual product suitability for specific applications. Evoqua assumes no liability whatsoever for any special, indirect or consequential damages arising from the sale, resale or misuse of its products.

© 2014 Evoqua Water Technologies LLC Subject to change without notice EP-HPTPS-DS-0914