

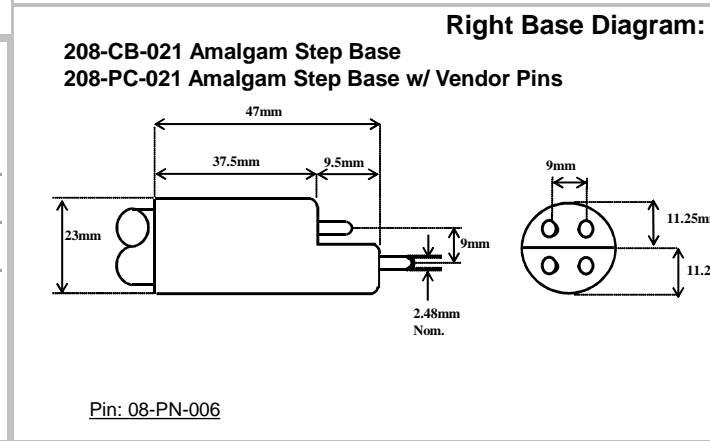
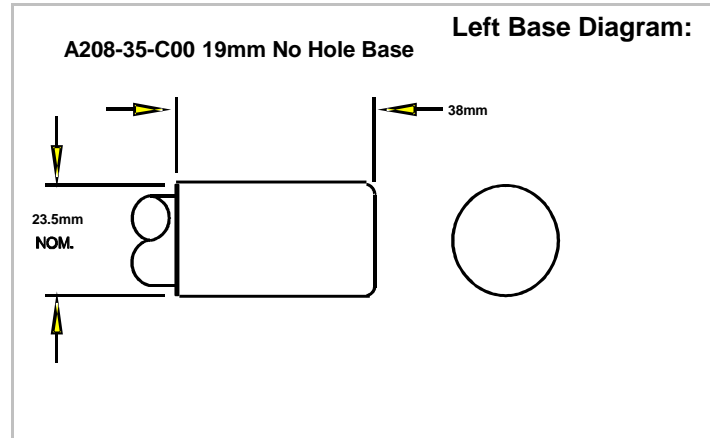
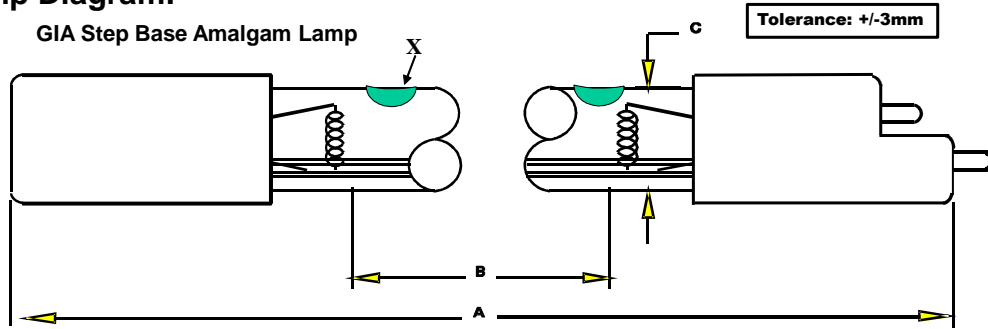
Lamp Type: GIA1002T6LCA/HO/CB-021

Spec Number:

2932

Engineering Specification Sheet

Lamp Diagram:



Lamp Characteristics

(A) Base Face:	1002 mm	+/- 3	Operating Current	2A
(B) ARC:	921mm		Lamp Voltage:	85v
(C) Bulb Diameter	19		Lamp Wattage:	170w
(X) Amalgam (Place dots 245mm from end				
Glass Type: L (Non-Ozone) Coating: A11-QC-001				
If Spliced: L	mm	VH	mm	
(Y)				
(Y1)				

UV Output - Certified to be true. First Light Technologies, Inc.

Output UVC Watts	micro/watt	/cm^2 @ 1 Meter	Rated Life (hrs)	% Output @EOL	Output Notes Field	Ballast Used for Measurements
56		500	12000	80.00%		TB-006

First Light
 212 Ideal Way
 Poultney, VT 05764 USA
 Phone-(802) 287-4195 Fax-(802) 287-4489
 www.firstlightusa.com
 email: sales@firstlightusa.com

*UV Output is based on lamps measured after 100 hours of operation under lab conditions. These values are subject to wide variations under application/field conditions.
 UV Output is measured at 254 nm
 **Rated Life is for reference purposes only and is based on a group of lamps operating under lab conditions. Actual life depends on the operating conditions of the lamp.

6/15/2022
 12:35:05 PM

This data includes matters which are trade secrets of First Light Technologies, Inc., or Proprietary or Confidential to First Light Technologies, Inc. and shall not be reproduced or disclosed in whole or part, or used in any manner except in connection with First Light Technologies, Inc. business, without the written permission of First Light Technologies, Inc.