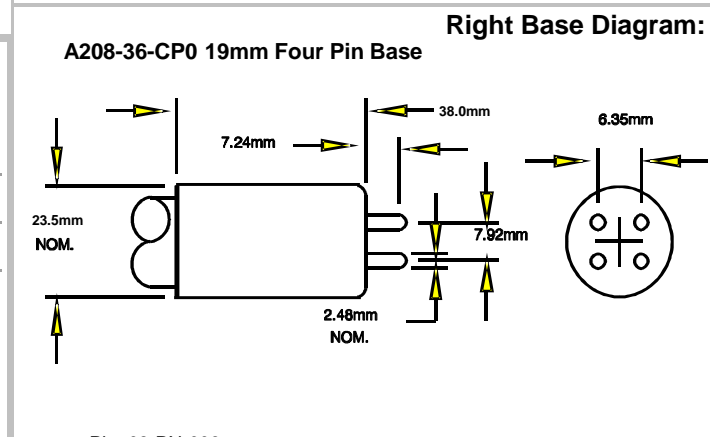
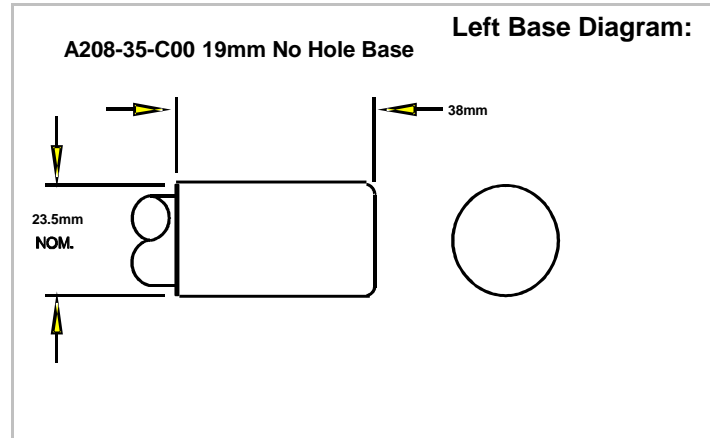
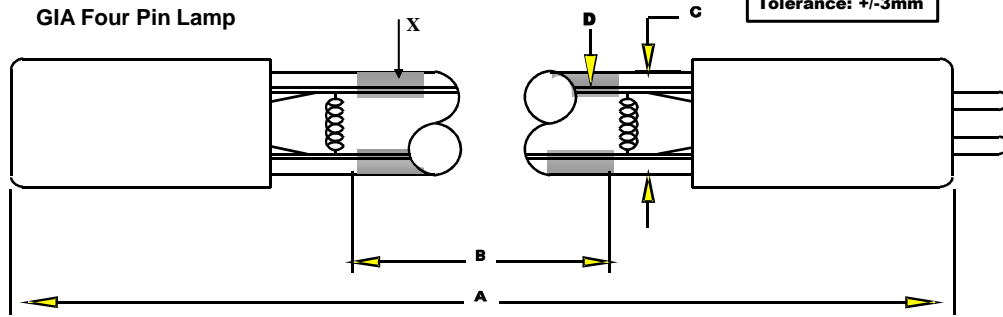


Lamp Type: GIA1570T6LCA/HO/4C

Spec Number:
2898

Engineering Specification Sheet

Lamp Diagram:



Lamp Characteristics

(A) Base Face:	1570	mm	+/- 3		
(B) ARC:	1501	mm		Operating Current	2.2a
(C) Bulb Diameter	19	mm		Lamp Voltage:	145v
(X) Amalgam				Lamp Wattage:	320w
Glass Type:	L (Non-Ozone)	Coating:	A11-QC-001		
If Spliced:	L	mm	VH	mm	
	(Y)				
	(Y1)				

UV Output - Certified to be true. First Light Technologies, Inc.

Output UVC Watts	micro/watt	/cm ² @ 1 Meter	Rated Life (hrs)	% Output @EOL	Output Notes Field	Ballast Used for Measurements
98.8		750	12000	80.00%		TB-006

First Light
212 Ideal Way
Poultney, VT 05764 USA
Phone-(802) 287-4195 Fax-(802) 287-4489
www.firstlightusa.com
email: sales@firstlightusa.com

*UV Output is based on lamps measured after 100 hours of operation under lab conditions. These values are subject to wide variations under application/field conditions.
UV Output is measured at 254 nm
**Rated Life is for reference purposes only and is based on a group of lamps operating under lab conditions. Actual life depends on the operating conditions of the lamp.

6/15/2022
12:34:34 PM

This data includes matters which are trade secrets of First Light Technologies, Inc., or Proprietary or Confidential to First Light Technologies, Inc. and shall not be reproduced or disclosed in whole or part, or used in any manner except in connection with First Light Technologies, Inc. business, without the written permission of First Light Technologies, Inc.