

Lamp Type: GPH843T5LCA/HO/CB-0L7

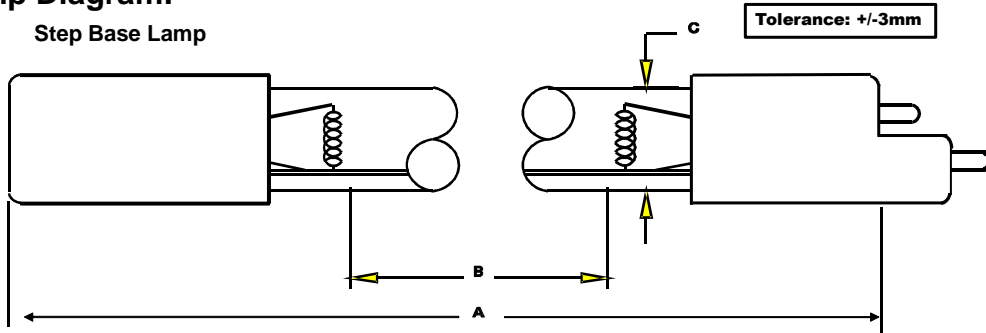
Spec Number:

2585

Engineering Specification Sheet

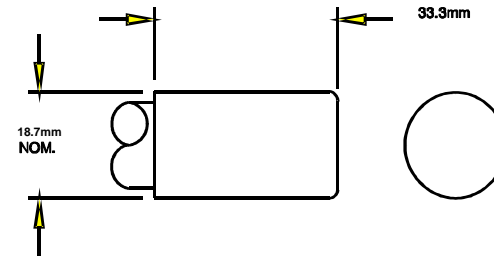
Lamp Diagram:

Step Base Lamp



A08-K5-C00 HD No Hole Base Yellow

Left Base Diagram:



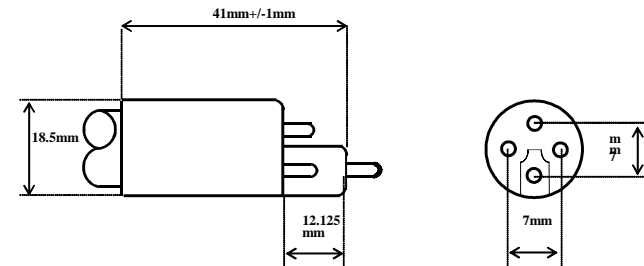
Source Base: 08-UB-062

Lamp Characteristics

(A) Base Face:	843	mm	+/-3		
(B) ARC:	767	mm		Operating Current	780mA
(C) Bulb Diameter	15	mm		Lamp Voltage:	100V
(X)				Lamp Wattage:	80W
Glass Type:	L (Non-Ozone)	Coating:	A11-QC-001		
If Spliced:	L	mm	VH	mm	
	(Y)				
	(Y1)				

A08-L7-CP0 Bayonet Base (Yellow)

Right Base Diagram:



Glass: Yellow
Pin: 08-PN-006

UV Output - Certified to be true. First Light Technologies, Inc.

Output UVC Watts	micro/watt	/cm ² @ 1 Meter	Rated Life (hrs)	% Output @EOL	Output Notes Field	Ballast Used for Measurements
29		265	12000	80.00%		TB-005

First Light
212 Ideal Way
Poultney, VT 05764 USA
Phone-(802) 287-4195 Fax-(802) 287-4489
www.firstlightusa.com
email: sales@firstlightusa.com

*UV Output is based on lamps measured after 100 hours of operation under lab conditions. These values are subject to wide variations under application/field conditions.
UV Output is measured at 254 nm
**Rated Life is for reference purposes only and is based on a group of lamps operating under lab conditions. Actual life depends on the operating conditions of the lamp.

6/15/2022
12:31:50 PM

This data includes matters which are trade secrets of First Light Technologies, Inc., or Proprietary or Confidential to First Light Technologies, Inc. and shall not be reproduced or disclosed in whole or part, or used in any manner except in connection with First Light Technologies, Inc. business, without the written permission of First Light Technologies, Inc.