

Lamp Type: GPH843T5LCA/CB-0L7

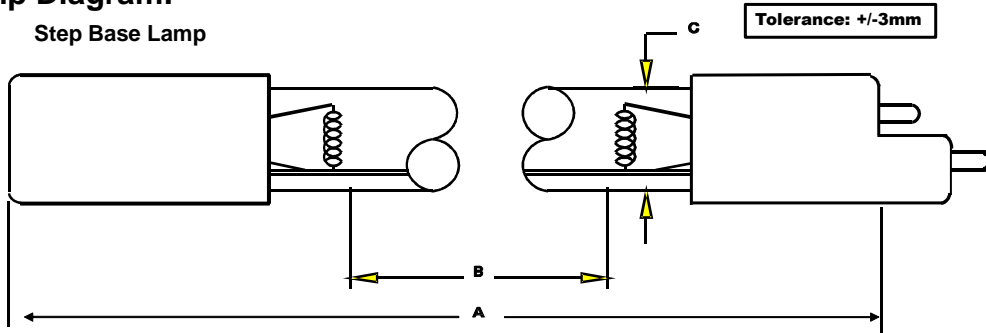
Spec Number:

2584

Engineering Specification Sheet

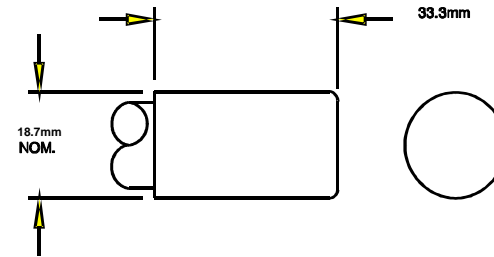
Lamp Diagram:

Step Base Lamp



A08-K5-C00 HD No Hole Base Yellow

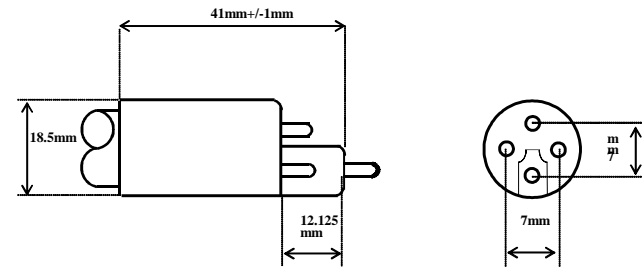
Left Base Diagram:



Source Base: 08-UB-062

A08-L7-CP0 Bayonet Base (Yellow)

Right Base Diagram:



Class: Yellow
Pin: 08-PN-006

Lamp Characteristics

(A) Base Face:	843 mm	+/- 3		
(B) ARC:	767mm		Operating Current	420mA
(C) Bulb Diameter	15		Lamp Voltage:	97V
(X)			Lamp Wattage:	40W
Glass Type:	L (Non-Ozone)	Coating:	A11-QC-001	
If Spliced:	L	mm	VH	mm
	(Y)			
	(Y1)			

UV Output - Certified to be true. First Light Technologies, Inc.

Output UVC Watts	micro/watt	/cm^2 @ 1 Meter	Rated Life (hrs)	% Output @EOL	Output Notes Field	Ballast Used for Measurements
16		150	12000	80.00%		TB-003

First Light
212 Ideal Way
Poultney, VT 05764 USA
Phone-(802) 287-4195 Fax-(802) 287-4489
www.firstlightusa.com
email: sales@firstlightusa.com

*UV Output is based on lamps measured after 100 hours of operation under lab conditions. These values are subject to wide variations under application/field conditions.
UV Output is measured at 254 nm
**Rated Life is for reference purposes only and is based on a group of lamps operating under lab conditions. Actual life depends on the operating conditions of the lamp.

6/15/2022
12:31:39 PM

This data includes matters which are trade secrets of First Light Technologies, Inc., or Proprietary or Confidential to First Light Technologies, Inc. and shall not be reproduced or disclosed in whole or part, or used in any manner except in connection with First Light Technologies, Inc. business, without the written permission of First Light Technologies, Inc.