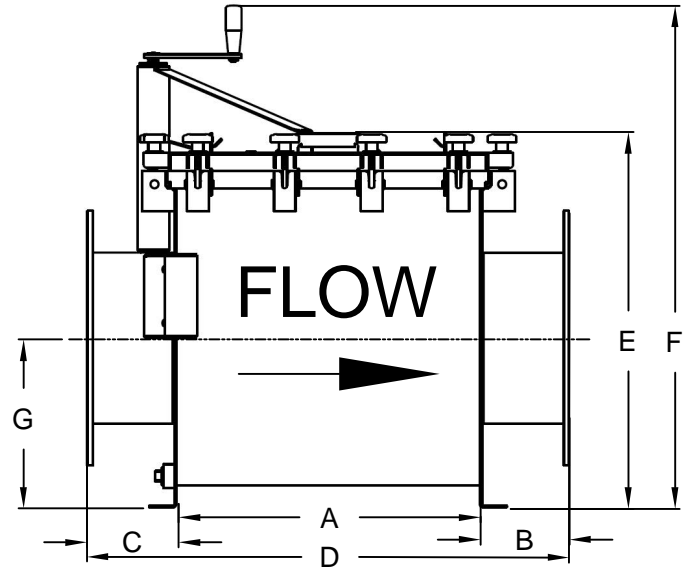
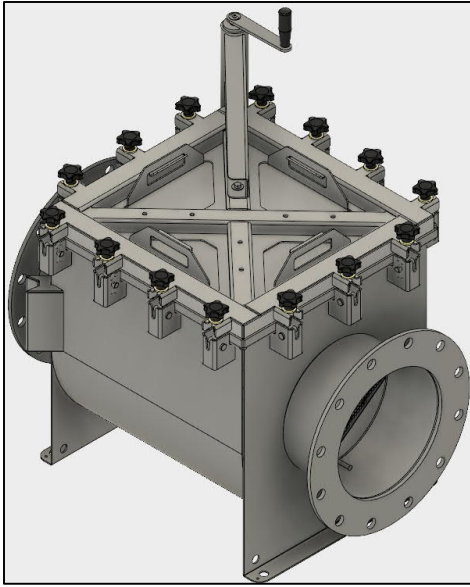


## CONCENTRIC REDUCING STRAINERS

LID-LIFTING DAVIT ONLY INCLUDED ON STRAINERS WITH INFLUENT CONNECTION 10 INCHES OR GREATER (BODY SIZES 3 & 4).



BODY SIZE	QTY OF LID HOLD DOWNS
1	8
2	10
3	14
4	16

INFLUENT SIZE (IN)	BASKET PART #	PERFORATION SIZE	OPEN AREA OF BASKET (SQ.IN)
3 to 4	60180	9/32" HEX	221
3 to 4	60209	1/8" ROUND	175
5 to 8	60181	9/32" HEX	443
5 to 8	60210	1/8" ROUND	377

INFLUENT SIZE (IN)	BASKET PART #	PERFORATION SIZE	OPEN AREA OF BASKET (SQ.IN)
10 to 12	60182	9/32" HEX	1228
10 to 12	60211	1/8" ROUND	955
14 to 20	60183	9/32" HEX	1697
14 to 20	60212	1/8" ROUND	1340

BODY SIZE	STRAINER SIZE (IN)	STRAINER PART NUMBER	OPEN AREA OF PIPE (SQ. IN)	OPEN AREA RATIO (9/32")	OPEN AREA RATIO (1/8")	DIMENSIONS (INCHES)							MAX. FLOW RATE (GPM)	APPROX. WEIGHT (LBS)
						BODY LENGTH [A]	INFLUENT LENGTH [B]	EFFLUENT LENGTH [C]	OVERALL LENGTH [D]	BODY HEIGHT [E]	DAVIT HEIGHT [F]	INF/EFF HEIGHT [G]		
1	3x2	P10302SC	7	31.6:1	25:1	12	3.5	3.5	19	16	-	7.50	125	65 LBS
	4x2	P10402SC	13	17:1	13.5:1	12	3.5	3.5	19	16	-	7.50	138	65 LBS
	4x2.5	P10425SC	13	17:1	13.5:1	12	3.5	3.5	19	16	-	7.50	198	65 LBS
	4x3	P10403SC	13	17:1	13.5:1	12	3.5	3.5	19	16	-	7.50	215	65 LBS
2	6x3	P20603SC	28	15.8:1	13.5:1	16	6.5	6.5	29	19.12	-	8.75	310	120 LBS
	6x4	P20604SC	28	15.8:1	13.5:1	16	6.5	6.5	29	19.12	-	8.75	488	120 LBS
	6x5	P20605SC	28	15.8:1	13.5:1	16	6.5	6.5	29	19.12	-	8.75	188	120 LBS
	8x4	P20804SC	50	8.9:1	7.5:1	16	6.5	6.5	29	19.12	-	8.75	537	120 LBS
	8x5	P20805SC	50	8.9:1	7.5:1	16	6.5	6.5	29	19.12	-	8.75	854	120 LBS
	8x6	P20806SC	50	8.9:1	7.5:1	16	6.5	6.5	29	19.12	-	8.75	854	120 LBS
3	10x5	P31005SC	79	15.5:1	12.1:1	23	6.5	6.5	36	27.875	37.44	12.63	1220	306 LBS
	10x6	P31006SC	79	15.5:1	12.1:1	23	6.5	6.5	36	27.875	37.44	12.63	1220	306 LBS
	10x8	P31008SC	79	15.5:1	12.1:1	23	6.5	6.5	36	27.875	37.44	12.63	1340	306 LBS
	12x6	P31206SC	113	10.9:1	8.5:1	23	6.5	6.5	36	27.875	37.44	12.63	1220	306 LBS
	12x8	P31208SC	113	10.9:1	8.5:1	23	6.5	6.5	36	27.875	37.44	12.63	1901	306 LBS
4	12x10	P31210SC	113	10.9:1	8.5:1	23	6.5	6.5	36	27.875	37.44	12.63	1901	306 LBS
	14x8	P41408SC	154	11:1	8.7:1	26	9	9	44	32.875	41.44	15	2140	412 LBS
	14x10	P41410SC	154	11:1	8.7:1	26	9	9	44	32.875	41.44	15	2295	412 LBS
	14x12	P41412SC	154	11:1	8.7:1	26	9	9	44	32.875	41.44	15	2295	412 LBS
	16x10	P41610SC	201	8.4:1	6.7:1	26	9	9	44	32.875	41.44	15	3012	412 LBS
	16x12	P41612SC	201	8.4:1	6.7:1	26	9	9	44	32.875	41.44	15	3012	412 LBS
	18x10	P41810SC	254	6.7:1	5.3:1	26	9	9	44	32.875	41.44	15	4503	412 LBS
	18x12	P41812SC	254	6.7:1	5.3:1	26	9	9	44	32.875	41.44	15	4503	412 LBS
	20x10	P42010SC	314	5.4:1	4.3:1	26	9	9	44	32.875	41.44	15	5591	412 LBS
	20x12	P42012SC	314	5.4:1	4.3:1	26	9	9	44	32.875	41.44	15	5591	412 LBS

STRAINER BODY SHALL BE CONSTRUCTED OF T316 MATERIAL NOT LESS THAN 1/8" IN THICKNESS. FLANGED CONNECTIONS ARE CONSTRUCTED OF T316 STAINLESS STEEL PIPE & WELDED FLANGES. FLANGED CONNECTIONS SHALL BE ANSI STANDARD DIMENSIONS. OTHER STRAINER SIZES AVAILABLE UPON REQUEST.

BASKET SHALL BE TYPE 316 STAINLESS STEEL 9/32" WITH 79% OPEN AREA. OPEN AREA OF BASKET OF OPTIONAL 1/8" PERFORATIONS WITH 58% OPEN AREA SHALL BE NO LESS THAN 4 TIMES GREATER THAN INFLUENT CONNECTION.

ALL DRAWING DIMENSIONS SUPPLIED BY NEPTUNE-BENSON ARE FOR REFERENCE ONLY. ALL CAD FILES WERE CREATED USING AUTOCAD FILE FORMAT (\*.DWG) AND ARE PRESENTED AS A SERVICE TO OUR CUSTOMERS. ERRORS SOMETIMES OCCUR DURING THIS PROCESS AND WITH SOFTWARE INCOMPATIBILITY UPON OPENING A FILE. NEPTUNE-BENSON AND/OR ANY AUTHORIZED DISTRIBUTOR OF OUR PRODUCTS WILL NOT BE HELD RESPONSIBLE FOR PROBLEMS ARISING FROM FILES WHICH HAVE BEEN CONVERTED AND DOES NOT WARRANT THE DOCUMENTS AGAINST DEFICIENCIES OR TYPOGRAPHICAL ERRORS OF ANY KIND. WE RECOMMEND THAT ALL MEASUREMENTS ARE VERIFIED WITH ACTUAL PHYSICAL PRODUCT BEFORE ANY CUSTOM FABRICATION IN THE FIELD OCCURS.