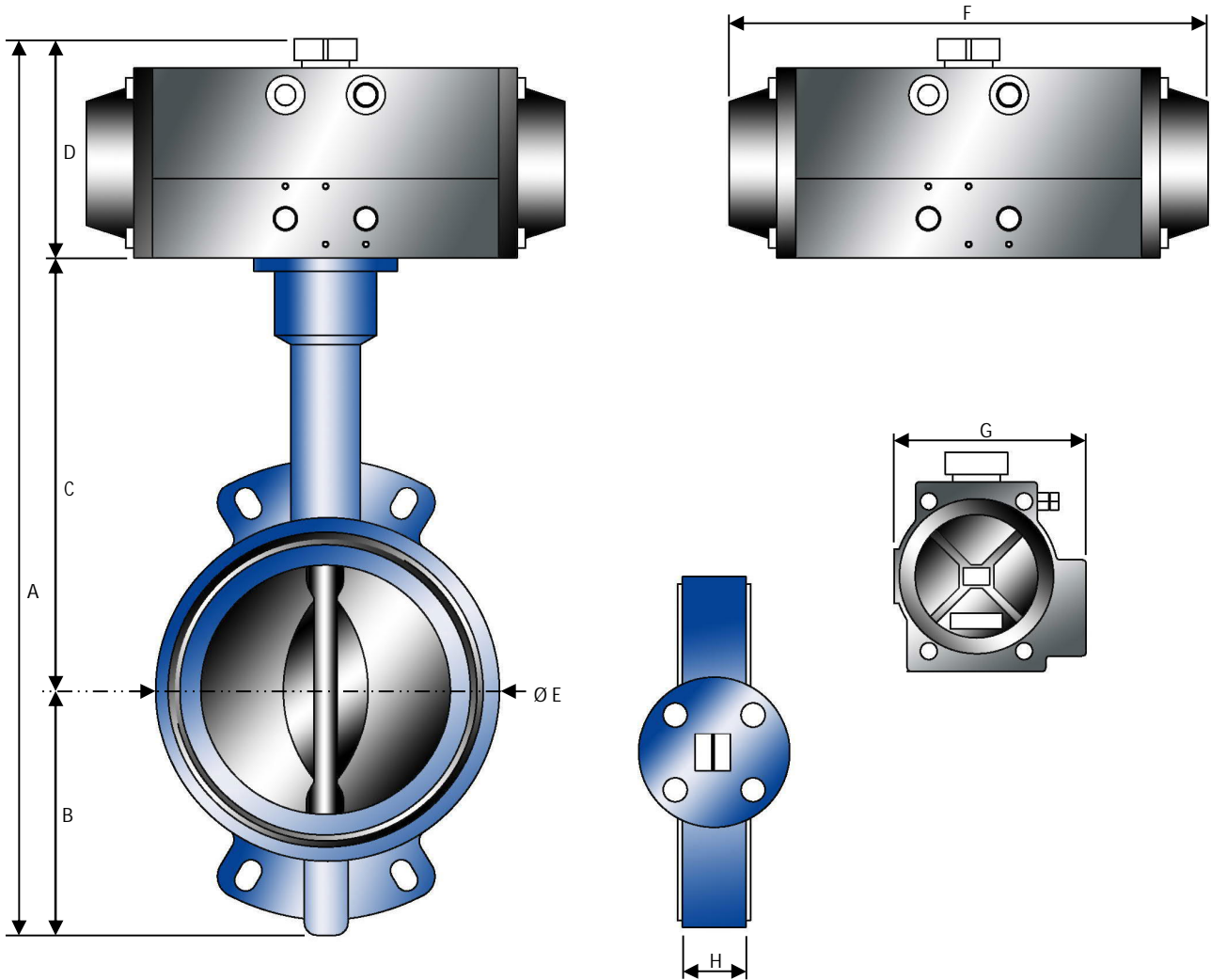


PNEUMATIC ACTUATED VALVE



All dimensions are in inches

Size	A	B	C	D	Ø E	F	G	H	Model	Valve with Pneumatic Actuator Model #	Valve with Pneumatic Actuator Part #
in											
2	12 3/8	2 1/4	5 1/2	4 5/8	4	8 3/16	3 3/4	1 7/8	PN-75-DA	Part # 14059	1000-6120
3	13 3/4	2 7/8	6 1/4	4 5/8	5 3/16	8 3/16	3 3/4	1 7/8	PN-75-DA	Part # 13555	1000-5944
4	15	3 3/8	7	4 5/8	6	8 3/16	3 3/4	2 1/16	PN-75-DA	Part # 13556	1000-5945
6	17 5/8	4 9/16	8	5 1/16	8 1/4	9 3/8	4 3/16	2 1/4	PN-85-DA	Part # 13557	1000-5946
8	21	5 7/8	9 9/16	5 9/16	10 3/8	10 3/4	4 7/8	2 3/8	PN-100-DA	Part # 13558	1000-5947
10	25 7/8	7 7/8	10 3/4	7 1/4	13	14 7/16	5 7/8	2 11/16	PN-125-DA	Part # 13559	1000-5948
12	28 1/2	8 7/8	12 3/8	7 1/4	15	14 7/16	5 7/8	3 11/16	PN-125-DA	Part # 13560	1000-5949

R 3/19/18

PNEUMATIC ACTUATOR

General Features:

- Compact, reliable design.
- Open-Closed adjustment stops.
- High visibility indicator.
- The top mounting pad is drilled and tapped to international NAMUR and ISO standards, providing for quick and economical accessory mounting in conjunction with the NAMUR pinion shaft.
- Standard execution for temperatures from -4°F/-20°C to +180°F/+80°C with standard NBR70 seals

Materials Used:

Body: The Aluminum body extrusion is hard anodized to 45-50 microns to protect against wear and corrosion while reducing piston friction to the absolute minimum.

End Caps: Epoxy coated die cast aluminum end caps provide maximum resistance against potentially corrosive elements.

Pistons: The precisely balanced die cast aluminum pistons are fitted with high-quality rings and guides, resulting in high ratios of output torque vs. input air pressure. The twin rack and piston design creates a constant torque output on all models.

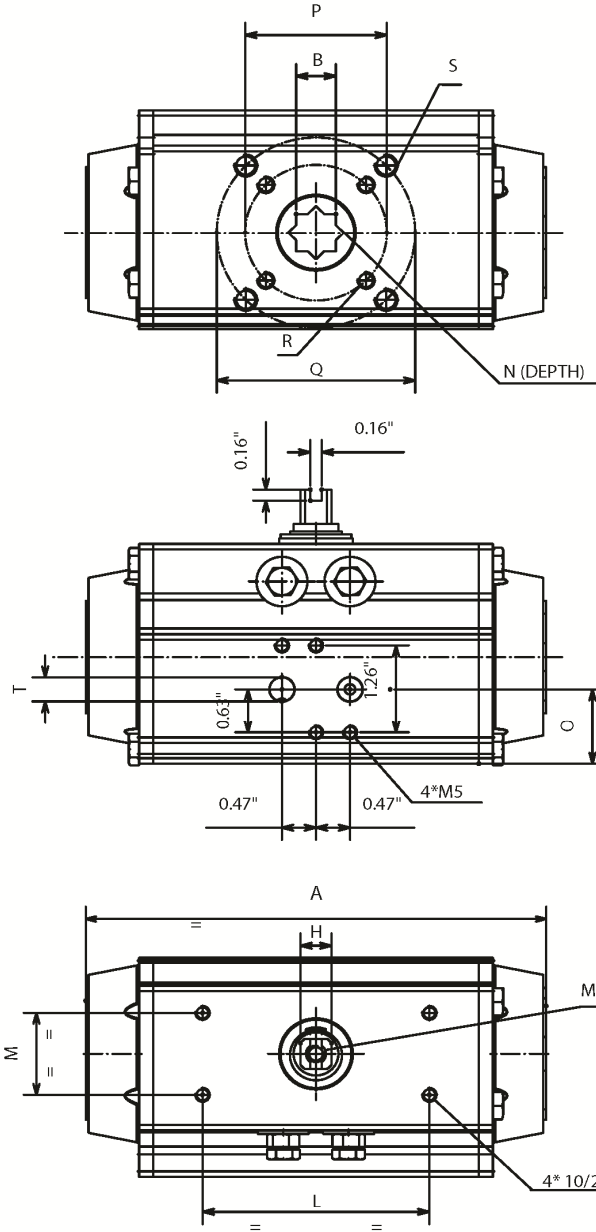
Piston Guides: Large contact areas and self-lubricating, highly durable materials provide high thrust stability with minimum friction.

Pinion: The hardened steel pinion is precision ground and then nickel plated in order to reduce friction, provide maximum wear resistance, and protect against corrosion under severe conditions.

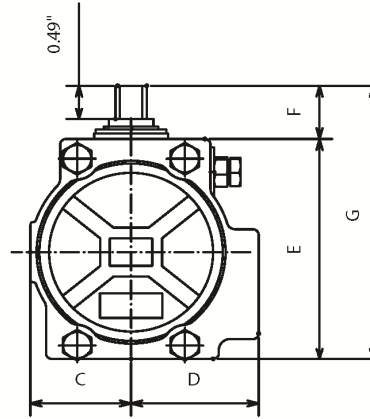
Pinion Seals: NBR-70 rubber pinion seals provide trouble free operation at standard temperature ranges.

Heavy Duty Springs: True-rated spring sets create absolute confidence in all of the fail safe spring return models. The high tensile steel springs are coated with zinc phosphate for corrosion resistance. Springs can be safely and quickly modified into sets ranging from 40 pounds to 80 pounds. Full length end cap bolts allow for easy and safe disassembly.

PNEUMATIC ACTUATOR



ACTUATOR VALVE MATRIX			
Model #	Part #	Model	Valve Size
13553	1000-5943	PN-75-DA	2" - 4"
13720	1000-6031	PN-85-DA	6"
13721	1000-6032	PN-100-DA	8"
13722	1000-6033	PN-125-DA	10" - 12"



DIMENSIONAL DATA

	ISO 5211	A	B	C	D	E	F	G	H	K	L	M	N	O	P	Q	R (UNC)	S (UNC)	T (NPT)
PN-52	F03/F05	5.49	0.433	1.18	1.61	2.74	0.787	3.52	0.43	0.47	3.15	1.18	0.47	1.04	1.42	1.97	10-24 X 0.29	1/4-20 X 0.35	1/8"
PN-63	F05/F07	6.38	0.551	1.40	1.77	3.17	0.787	3.96	0.43	0.59	3.15	1.18	0.63	1.08	1.97	2.76	1/4-20 X 0.31	5/16-18 X 0.47	1/8"
PN-75	F05/F07	8.15	0.669	1.65	2.07	3.82	0.787	4.61	0.67	0.75	3.15	1.18	0.75	1.38	1.97	2.76	1/4-20 X 0.31	5/16-18 X 0.47	1/8"
PN-85	F05/F07	9.35	0.669	1.87	2.30	4.27	0.787	5.06	0.67	0.87	3.15	1.18	0.75	1.65	1.97	2.76	1/4-20 X 0.31	5/16-18 X 0.47	1/8"
PN-100	F07/F10	10.69	0.669	2.17	2.68	4.78	0.787	5.57	0.67	0.87	3.15	1.18	0.81	1.97	2.76	4.02	5/16-18 x 0.47	3/8-16 x 0.55	1/4"
PN-115	F07/F10	12.91	0.869	2.52	2.87	5.57	1.180	6.75	1.06	1.26	5.12	1.18	0.94	1.97	2.76	4.02	5/16-18 x 0.47	3/8-16 x 0.59	1/4"
PN-125	F07/F10	14.41	0.869	2.68	3.15	6.04	1.180	7.22	1.06	1.26	5.12	1.18	0.94	2.40	2.76	4.02	5/16-18 x 0.47	3/8-16 x 0.59	1/4"
PN-140	F10/F12	16.85	1.060	3.01	3.44	6.93	1.180	8.11	1.06	1.38	5.12	1.18	1.14	2.80	4.02	4.92	3/8-16 x 0.59	1/2-13 x 0.71	1/4"